

Clarke®



BICYCLE SHED

MODEL NO: CIB755

PART NO: 3503598

ASSEMBLY INSTRUCTIONS

ORIGINAL INSTRUCTIONS

GC0122

INTRODUCTION

Thank you for purchasing this CLARKE Shed. Before attempting to use this product, please read this manual thoroughly and follow the instructions carefully. In doing so you will ensure the safety of yourself and that of others around you, and you can look forward to your purchase giving you long and satisfactory service.

When erected, the CIB755 Shed will be of the dimensions shown on page 4. The product weight is 13.43 kg (unpacked), 14.55 kg (packed).

SAFETY WARNINGS



WARNING: READ THESE SAFETY INSTRUCTIONS TO REDUCE THE RISK OF INJURY. RETAIN THESE INSTRUCTIONS FOR FUTURE REFERENCE.

DO NOT use this product in environments for which it is not intended (i.e. extreme cold, high winds, extreme heat, heavy rainfall, etc).

DO NOT use open flames or cooking or heating devices inside or in close proximity to the shed including all types of stoves, gas heaters, gas lanterns, torches, fly killers, etc. The fabric will burn if left in continuous contact with a naked flame.

DO NOT store flammable liquids (petrol, kerosene, propane, etc.) in the shed or operate gas powered vehicles/equipment in or around the shed.

ALWAYS follow the instructions for anchoring the shed.

GUARANTEE

This product is guaranteed against faulty manufacture for a period of 12 months from the date of purchase. Please keep your receipt which will be required as proof of purchase.

This guarantee is invalid if the product is found to have been abused or tampered with in any way, or not used for the purpose for which it was intended.

Faulty goods should be returned to their place of purchase, no product can be returned to us without prior permission. This guarantee does not effect your statutory rights.

POSITIONING AND INSTALLATION OF THE SHED

POSITIONING THE SHED

This shed is a temporary structure and is not recommended as a permanent building. It is designed to offer protection from sun, rain, light snow, tree sap and bird droppings etc. It is not designed to shelter equipment from excessively high winds or heavy snow.

Choose your shed location carefully. Check for overhead power lines, tree branches, etc. DO NOT install near roofs or other structures that may shed snow, ice or excessive run-off onto your shed.

SITING THE SHED

Erect your shed on level ground over a firm, level area. Allow enough space near each corner for the ground anchors and tie-down straps supplied to be used as intended. If the ground area is of tarmac or concrete, the use of ground anchor holding-down bolts will be required to anchor the shed to the floor.

Choose a dry location where dampness arising from ground water in the environment will not undermine the protection offered by the shed.

A masonry floor such as block paving or concrete is ideal, but if this is not being supplied, a timber or shuttering plywood floor, protected by a suitable groundsheet should be used. This will help to create a dry storage environment by insulating the storage space from ground moisture.

Proper anchoring and keeping the cover tight and free of snow and debris is the responsibility of the user. Damage caused by improper anchoring is not covered under warranty.

CARE OF THE SHED STRUCTURE

This shed is NOT designed to support heavy snow. Snow or ice accumulation may cause your shed to collapse. To avoid overload, brush snow and ice off the roof top with a broom or mop to prevent collapse with the resultant damage to property or personal injury.

NEVER clear the roof of snow or debris from inside the shed.

DO NOT use hard-edged tools or instruments, such as rakes or shovels to remove snow. These can cause punctures to the cover.

DO NOT use bleach, alkaline or harsh detergents for cleaning. Doing so will damage the material. Soap and warm water are recommended.

In order to reduce risk of burning and avoid damage, DO NOT- cook, smoke, refuel or use any open flame devices in or around the shed.

USING THE STORAGE SPACE

Never run the engine of any machine inside a closed shed. Ensure that there is adequate ventilation for engines or for any work with paints, cleaners, etc. by opening the door panel and keeping it raised.

CONDENSATION

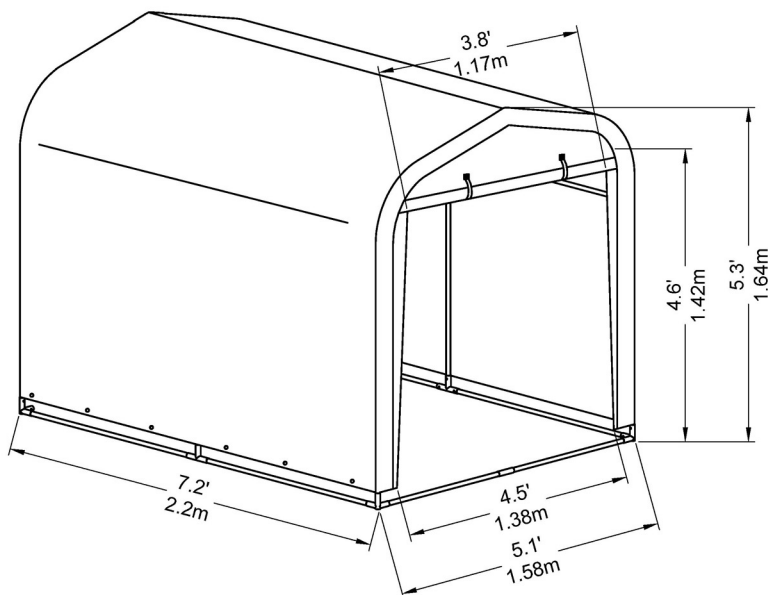
Take steps to avoid the buildup of condensation inside the shed. Cool, damp winter days and moisture from the breath and body heat of personnel may cause condensation on the inside of the top cover.

A supply of fresh air through the doorway will at least partly remove this issue.














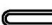





For long term storage of moisture sensitive belongings in all weathers, the use of a dehumidifier may be required, such as those in the CLARKE range. A suitable extension lead to a locally available power supply will be required. Condensation will be much less of an issue during the summer months.

CONSTRUCTION

Have an overview of all parts before attempting installation and make sure all components are supplied.



COMPONENT PARTS LIST

Part#	Description	Drawing	Qty.
1	Cross Rail		10
2	Upright Post		6
3	Door Cross Rail		4
4	Bent Tube		6
5	Corner Bottom Base		4
6	Medium Bottom Base		6
7	4-Way side connectors		2
8	3-Way Top Connectors		2
9	4-Way Top Connectors		1
10	Connector Tube		2
11	Front Door Panel		1
12	Back Panel		1
13	Main Cover		1
14	Anchor A		4
15	Ball Tie Down (short)		30
16	Ball Tie Down (long)		20
17	Couple		4
18	M6 x 30 Bolt		4
19	M6 Nut		4

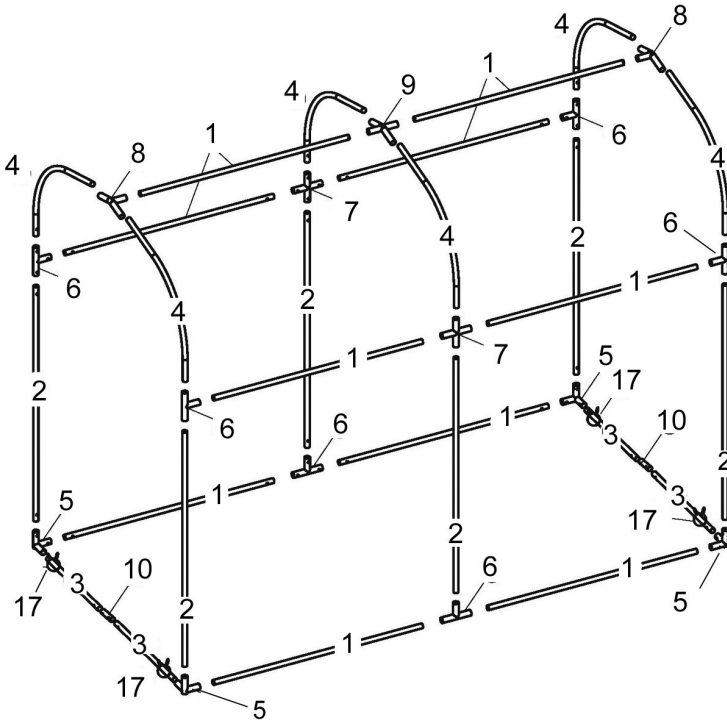
ASSEMBLY



WARNING: DO NOT PLACE THE PRODUCT UNDER TREES FROM WHICH HARD FRUIT SUCH AS APPLES, WALNUTS OR HEAVY PINE CONES, ETC., MAY FALL. KEEP CHILDREN AWAY DURING ASSEMBLY. DO NOT ATTEMPT TO ASSEMBLE THE PRODUCT IF ANY PARTS ARE MISSING.

WARNING: DO NOT LEAVE THE SHED UNATTENDED DURING ASSEMBLY IN CASE PERSONAL INJURY OR DAMAGE MAY OCCUR.

1. Place all parts in a clear area and arrange them on the ground. Check for completeness and for any transport damage.
2. Remove all packaging materials and place them back in the box. Do not dispose of the packaging materials until assembly is complete.

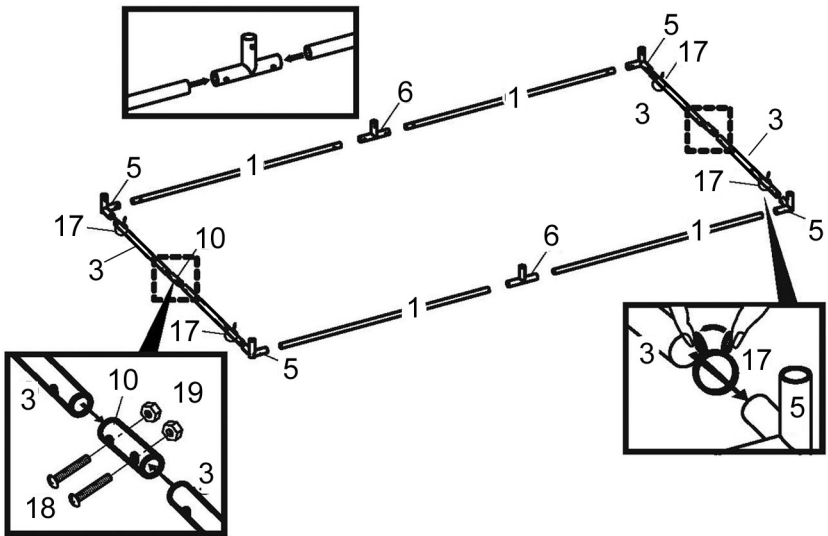


Tools required for assembly (not included)

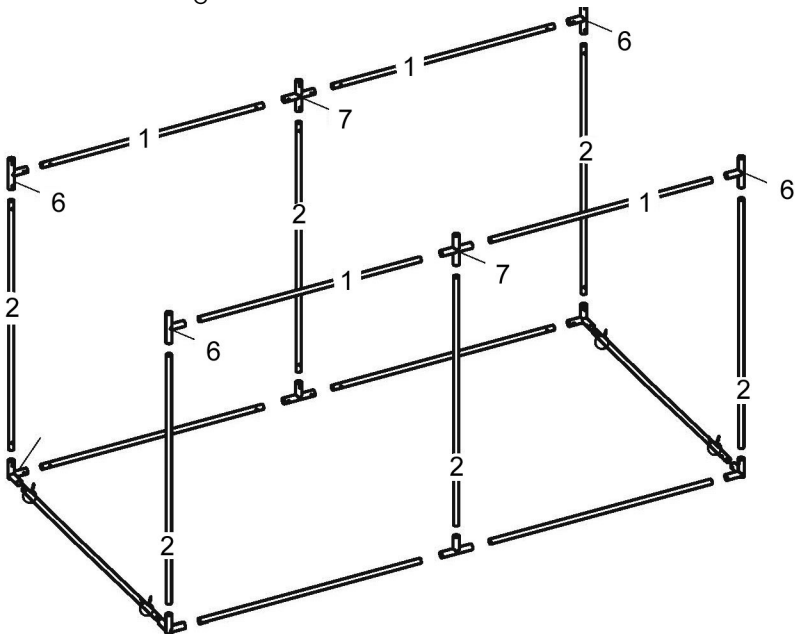


STEP 1:

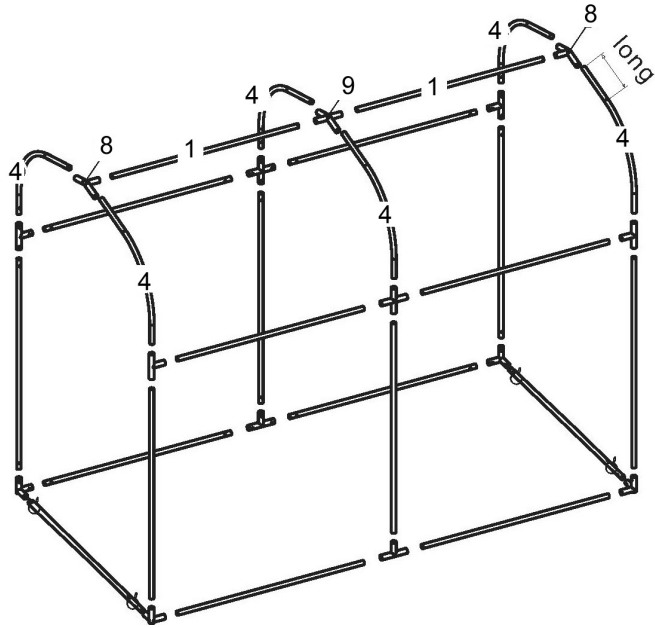
1. Select a suitable location for the shed and assemble the base frame as shown.



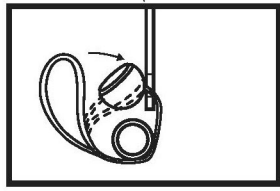
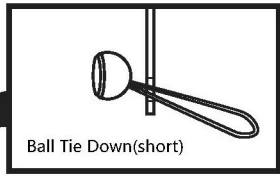
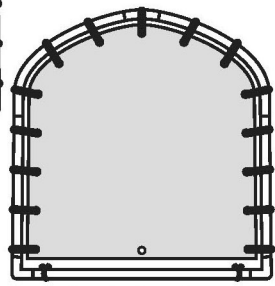
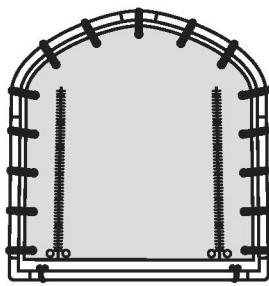
2. Assemble the legs and shoulder tubes as shown.



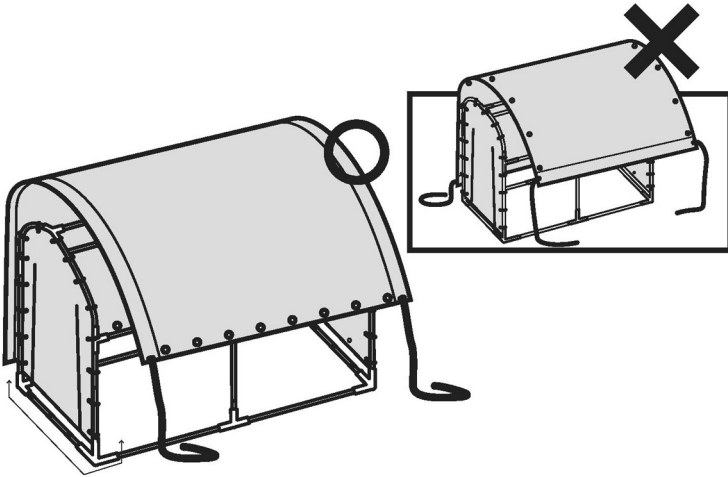
3. Assemble the roof, noting that the long side of the bent tube (4) is on top of the roof.



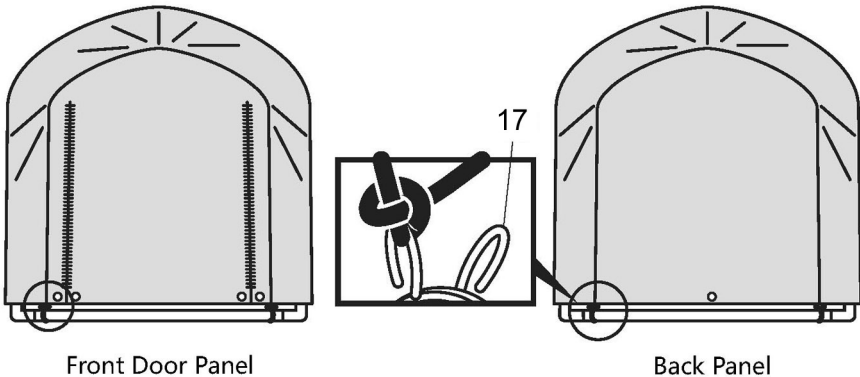
4. Attach the door panels on the frame using the short bungees (15).



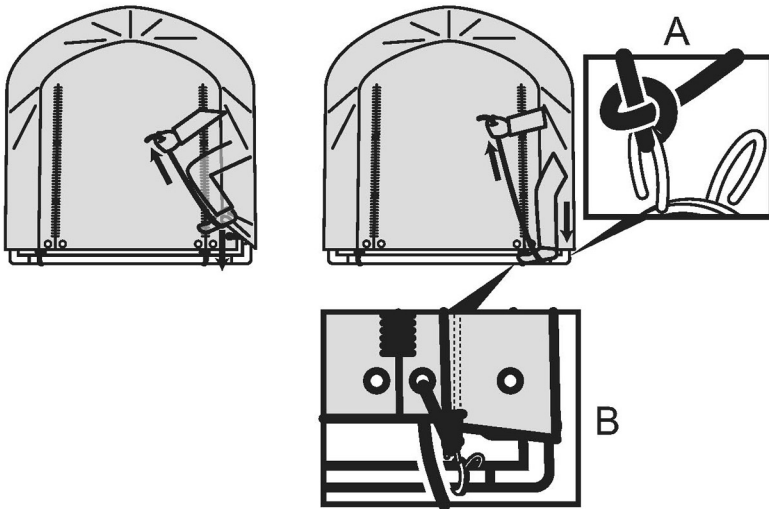
5. Attach the roof cover as shown in the diagram. Note the cover direction with the eyelets on both sides of the shed.



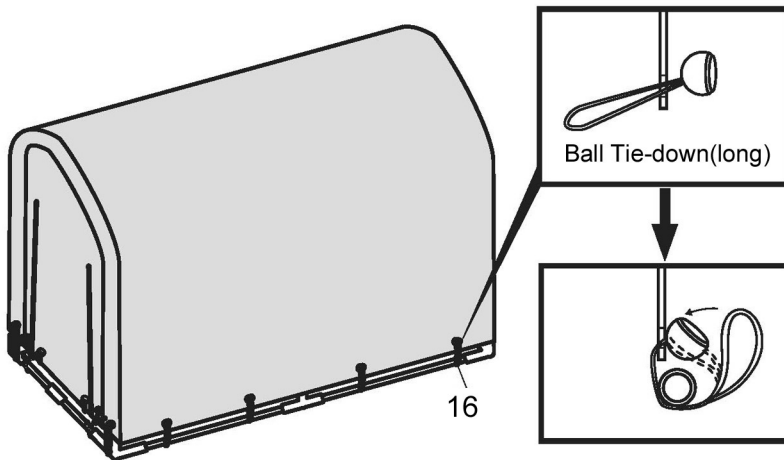
6. Tie one side of the roof cover rope ends on couplers (17).



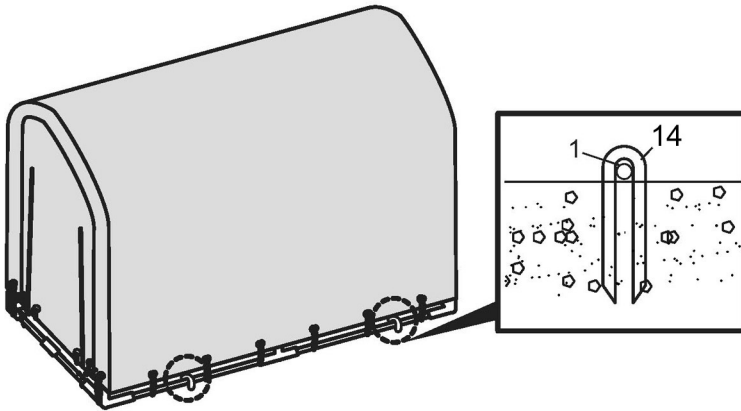
7. Tie the other side of the roof cover rope end on parts 17 (Fig A) and then through the door panel eyelet and tighten again. (Fig B)



8. Attach the main cover to the frame using the long bungees (16).



9. Use the anchors (14) to fix the two side beams to the ground along each side.



The shed is now ready for use.

USING THE SHED

1. Check periodically and tighten all hardware if needed.



WARNING: IF POSITIONING THE SHED IN A WINDY LOCATION ALWAYS ENSURE THE FRONT DOOR IS KEPT FULLY CLOSED TO PREVENT WIND LIFTING THE SHED FROM INSIDE AND THAT THE SHED IS SECURELY ANCHORED TO THE GROUND

2. Open the door with the help of an assistant, rolling the fabric up until the door can be held in position above the opening using the webbing straps and buckles.

DISASSEMBLY

To dismantle, execute all instructions in reverse order.

Store your shed in a cool, dry location between seasons to prolong the usable life of all components. Components are not equally durable and will require replacement over time at differing intervals.

PLEASE RE-READ ALL WARNINGS ON PAGE 2 OF THESE INSTRUCTIONS. SAVE THESE INSTRUCTIONS FOR FUTURE USE.

A SELECTION FROM THE VAST RANGE OF

Clarke®

QUALITY PRODUCTS



AIR COMPRESSORS

From DIY to industrial, Plus air tools, spray guns and accessories.

GENERATORS

Prime duty or emergency standby for business, home and leisure.

POWER WASHERS

Hot and cold, electric and engine driven - we have what you need

WELDERS

Mig, Arc, Tig and Spot. From DIY to auto/industrial.

METALWORKING

Drills, grinders and saws for DIY and professional use.

WOODWORKING

Saws, sanders, lathes, mortisers and dust extraction.

HYDRAULICS

Cranes, body repair kits, transmission jacks for all types of workshop use.

WATER PUMPS

Submersible, electric and engine driven for DIY, agriculture and industry.

POWER TOOLS

Angle grinders, cordless drill sets, saws and sanders.

STARTERS/CHARGERS

All sizes for car and commercial use.



PARTS & SERVICE: 0208 988 7400

Parts Enquiries
Parts@clarkeinternational.com

Servicing & Technical Enquiries
Service@clarkeinternational.com

SALES: UK 01992 565333 or Export 00 44 (0)1992 565335

Clarke INTERNATIONAL Hemnall Street, Epping, Essex CM16 4LG
www.clarkeinternational.com